

EXHAUST FAN SCHEDULE								
SYM.	TYPE	C.F.M.	S.P.E.	WATTS	CHAR.	R.P.M.	CONTROL	REMARKS
EF-1	ROOF MOUNTED	600	0.5	1/3 H.P.	120/60/1	1316	INTELOCK W/ HOOD	CAPTIVEAIRE MODEL DU33HFA UPBLAST FAN WITH FACTORY ROOF CURB TO MATCH ROOF SLOPE AND BACKDRAFT DAMPER.

ROOF TOP HEATING & AIR CONDITIONING UNIT SCHEDULE																
SYM.	CFM	OUTSIDE AIR REQUIRED	SP _r	BLOWER H.P.	CHAR.	MCA	WEIGHT	GAS CONN.	HEATING				COOLING			REMARKS
									BTU IN	BTU OUT	EAT	LAT	MBH	EAT	WB	
RT-1	1,200	450	0.7"	3/4	208/60/1	28.0	550#	3/4"	81,000	65,000	65°F	104°F	36.0	80°F	62°F	LENNOX LGH036H4B WITH FACTORY ROOF CURB AND ECONOMIZER

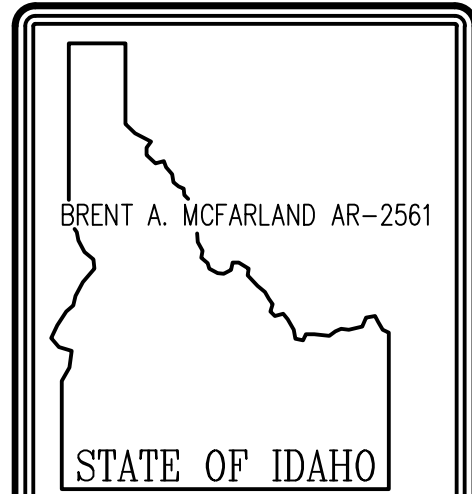
KITCHEN HOOD UNIT SCHEDULE									
SYM.	LENGTH	WIDTH	HEIGHT	TYPE	EXH CFM	FAN SYM.	MAKE-UP CFM	EXHAUST DUCT	WEIGHT
KH-1	48"	48"	24"	TYPE 2 VAPOR HOOD	600	EF-1	450 FROM RT-1	10"Ø	163 LBS

REMARKS:
CAPTIVEAIRE MODEL 4824VHB S.S. HOOD WITH 24" HIGH FIELD WRAPPER ON FRONT AND LEFT. MOUNT HOOD AT 80" A.F.F TO BOTTOM OF HOOD.

GRILLE AND REGISTER SCHEDULE									
SYM.	TYPE	SIZE	CFM RANGE	THROW PATTERN	CONSTR.	FINISH	BALANCING DAMPER	FIRE DAMPER	REMARKS
D-1	CEILING	12x12	300-450	◆	STEEL	WHITE	NA	NA	PRICE MODEL SMD IN 24x24 LAY-IN MODULE
R-1	CEILING	16x16	450-700	NA	STEEL	WHITE	NA	NA	PRICE MODEL 535 IN 24x24 LAY-IN MODULE

PLAN NOTES:

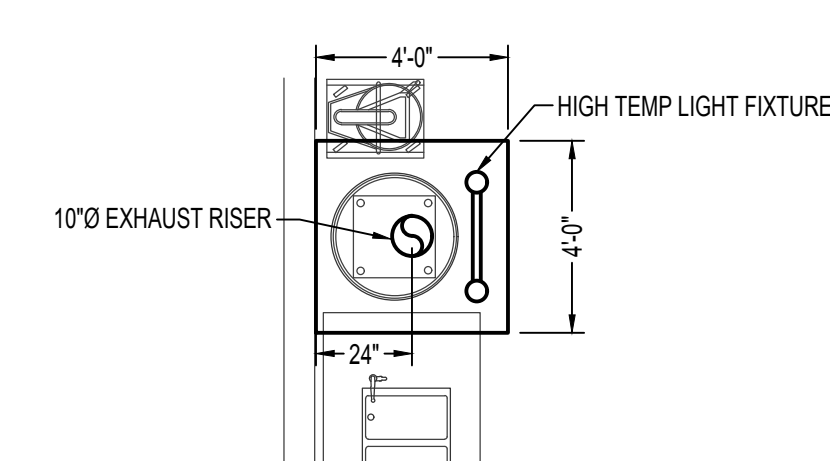
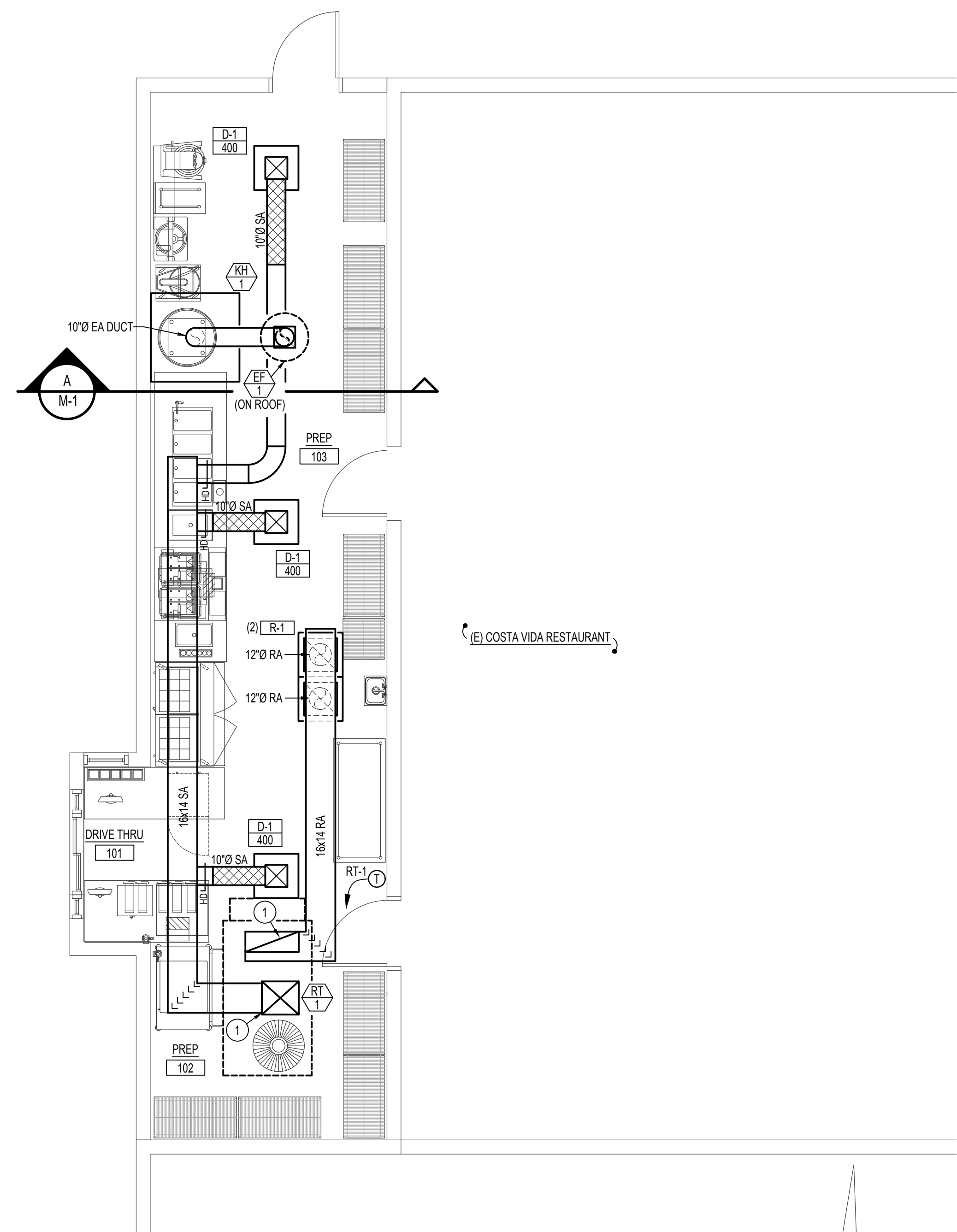
1 PROVIDE TRANSITION FROM ROOFTOP UNIT SUPPLY AND RETURN AIR DUCTWORK INLET & OUTLET TO 16x14 SUPPLY AND RETURN AIR DUCTWORK.



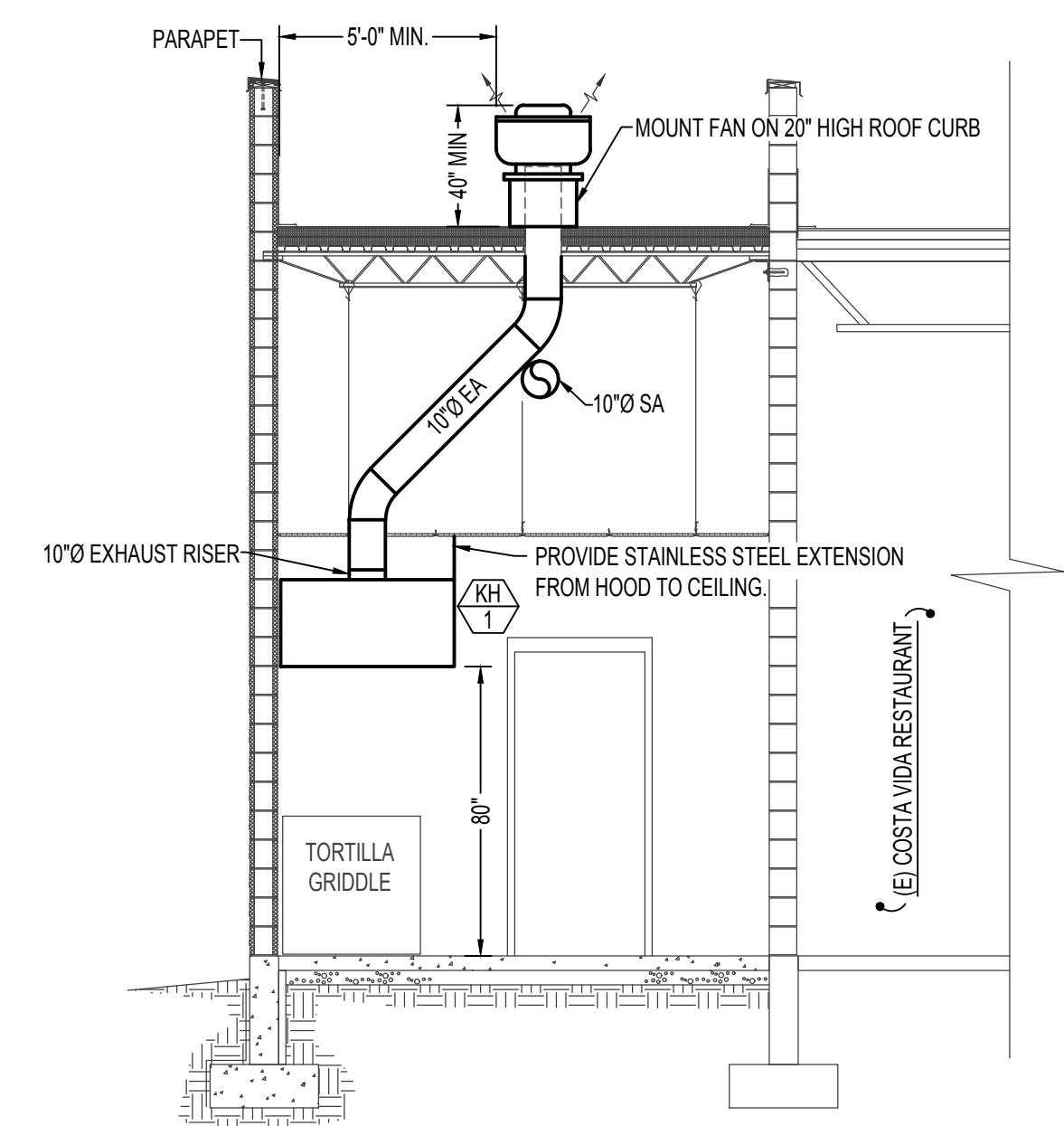
Consultants:

MECHANICAL ENGINEERING
Engineered Systems Assoc.
1335 East Center Street
Pocatello, Idaho 83204
Tel: (208) 233-0501
Fax: (208) 233-0529

ELECTRICAL ENGINEERING
Payne Engineering INC.
1832 East Center Street
Pocatello, Idaho 83201
Tel: (208) 233-4439
Fax: (208) 232-1435



KITCHEN HOOD DETAIL
SCALE: 1/4" = 1'-0"



KITCHEN HOOD SECTION
SCALE: 1/4" = 1'-0"

FLOOR PLAN - MECHANICAL
SCALE: 1/4" = 1'-0"

MECHANICAL LEGEND	
SYMBOL	DESCRIPTION
(T)	ELECTRONIC THERMOSTAT
(EF)	EQUIPMENT SYMBOL
[Symbol]	RECTANGULAR SUPPLY AND RETURN AIR DUCT TAKE-OFF
[Symbol]	TURNING VANES
[Symbol]	DUCT TRANSITION
[Symbol]	INSULATED FLEXIBLE DUCT
[Symbol]	CEILING SUPPLY DIFFUSER
[Symbol]	CEILING RETURN AIR GRILLE
[Symbol]	ROOF MOUNTED UP-BLAST EXHAUST FAN

GENERAL NOTES:

A- THE CONTRACTOR SHALL CHECK AND VERIFY ALL DIMENSIONS AND CONNECTIONS ON THE JOB SITE. ALL WORK SHALL BE EXECUTED FROM MEASUREMENTS TAKEN AT THE SITE.

B- THE MECHANICAL CONTRACTOR SHALL BE RESPONSIBLE TO INSURE PROPER CODE CLEARANCES FOR ELECTRICAL AND MECHANICAL ACCESS WHEN INSTALLING ANY EQUIPMENT SUPPLIED BY THE MECHANICAL CONTRACTOR.

C- IT IS CRITICAL THAT THIS CONTRACTOR COORDINATE EQUIPMENT LOCATIONS WITH PIPING, DUCTWORK, ELECTRICAL CONDUIT AND BUILDING STRUCTURE TO INSURE CODE COMPLIANCE.

D- CEILING DIFFUSERS ARE SHOWN IN APPROXIMATE LOCATIONS. REFER TO LIGHTING PLANS AND REFLECTED CEILING PLAN FOR EXACT LOCATIONS.

E- DUCT DIMENSIONS CALLED OUT ON DRAWINGS ARE INSIDE FREE AREA DIMENSIONS. ACOUSTICAL DUCT LINER ARE TO BE ADDED TO OVERALL MEASUREMENTS.

F- ALL DUCTWORK AND PIPING WHICH PASSES THRU FIRE RATED WALLS TO BE FIRE STOPPED WITH APPROVED FOAM OR SEALANT. REFER TO SPECIFICATIONS FOR APPROVED MANUFACTURES.

Professional Engineer
REGISTERED
STATE OF IDAHO
WYNNE C. SUDWICKS

Engineered Systems Associates
1355 EAST CENTER
POCATELLO, IDAHO 83201
PHONE: (208) 233-0501
FAX: (208) 233-0529
EMAIL: esa@engsystems.com
ESA JOB NUMBER: 21025

MAY 05, 2021

IDAHO

COSTA VIDA ADDITION

REXBURG,

MECHANICAL FLOOR PLAN

Revisions:

Drawn By:	Job Number:
SR	831
Checked By:	Date:
DCS	MAY 2021
File:	Drawing Number:
	M1.1
File:	OF